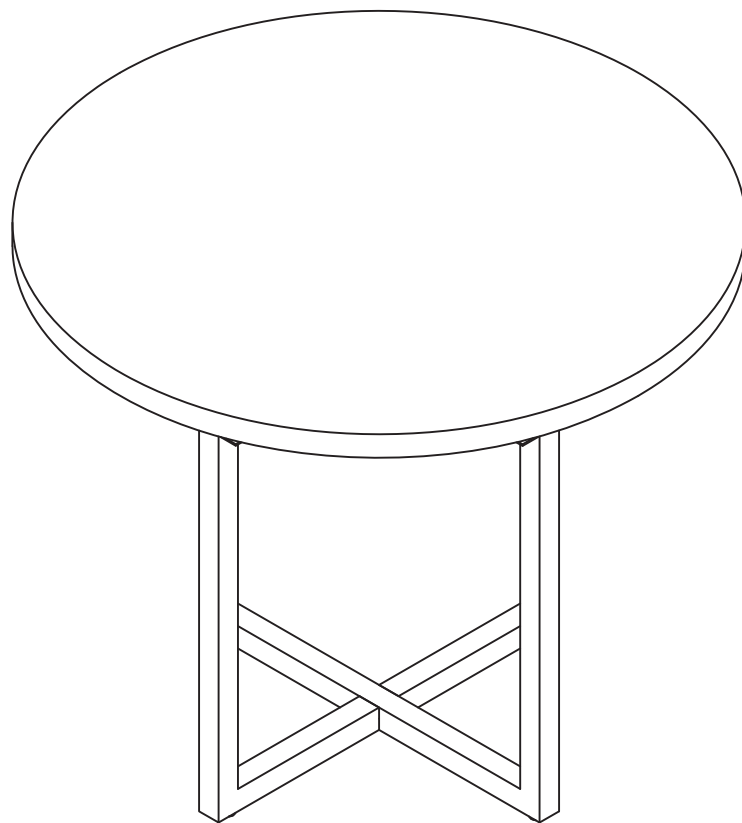


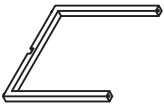
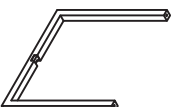
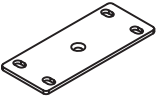




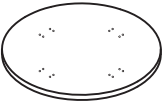
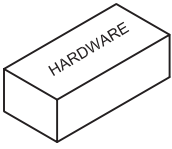
Mirella Series
Round Conference Top and Base
Model No. MR48R & MR42R



For questions or concerns, please call 1-888-971-6225 available
Monday-Friday 7:30 AM to 5:00 PM (Central Time)
(English-speaking operators)

PARTS LIST

Name	Part	Qty.	Spare Qty
A	 Leg	1	
B	 Leg	1	
C	 120*50*3mm	4	
D	 M6*15mm	4	1

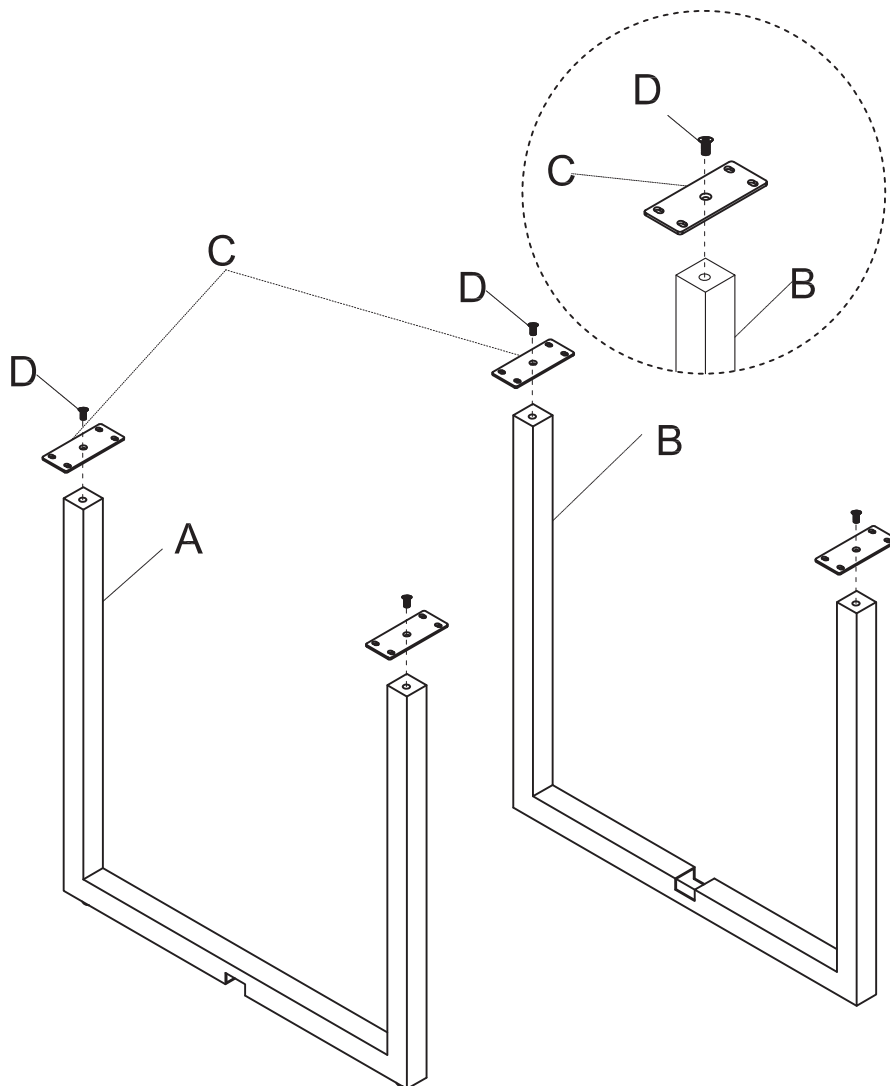
Name	Part	Qty.	Spare Qty
E	 M6*15mm	16	1
F	 Top Panel	1	
	 MR42-48RHB		

Items with HB are in hardware box.

IMPORTANT!

Review ALL instructions before beginning assembly. These instructions are provided to avoid problems that may occur from improper assembly or installation. SAFCO and/or its distributor are not responsible for failure resulting from improper assembly or installation of this product. Moreover, all warranties are void for failure to follow these assembly instructions.

- 1 Use the Screw (D) to install the Bracket (C) to the Leg (A&B);



- ② Insert the Leg (A) to the cutout of the Leg (B), Use the Screw (E) to lock the Top (F).

